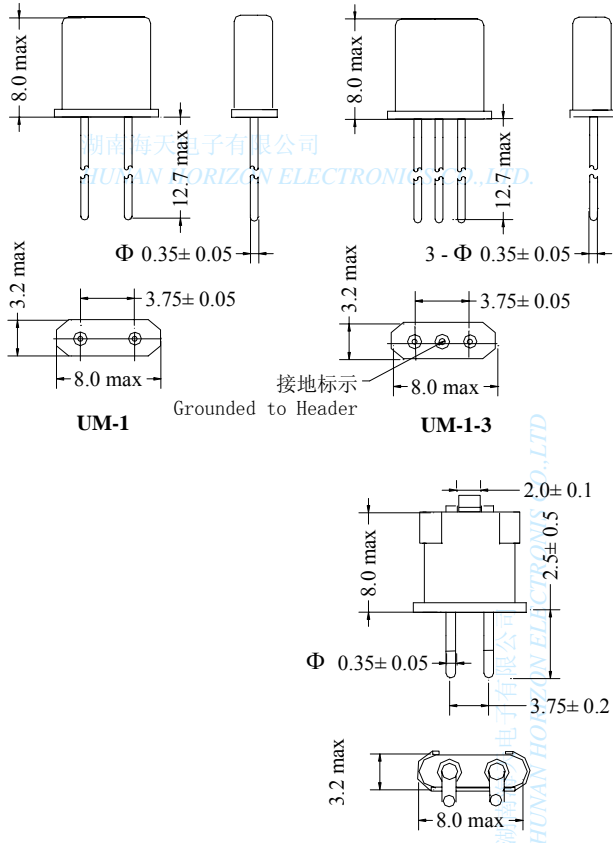


外形尺寸(单位:毫米)

Figure and Dimensions(Unit: mm)



产品特征 Features

- 频率宽 Wide Frequency Range
- 精度高 High Precision Crystal

建议电路板印刷底座
 Recommended Solder Pad Layout

产品规格 Specification

电性能参数 Parameter		规格 Specification
频率范围 Frequency Range		6.000~200.000 MHz
振动模式 Mode of Oscillation	基频 Fundamental	6.000~45.000 MHz
	三次泛音 3 rd Overtone	30.000~100.000 MHz
	五次泛音 5 th Overtone	80.000~155.000 MHz
	七次泛音 7 th Overtone	130.000~200.000 MHz
等效电阻(ESR) Equivalent Series Resistance	Fund. 3 rd 5 th 7 th	60Ω max for 6.000~45.000 MHz 60Ω max for 30.000~100.000 MHz 80Ω max for 80.000~155.000 MHz 140Ω max for 130.000~200.000 MHz
工作温度 Operating Temperature		0℃~70℃ (See Options)
储存温度 Storage Temperature		-40℃~85℃
调整频差 Frequency Tolerance @ 25℃		±5 ppm~±30 ppm max (See Options)
温度频差 Temperature Tolerance		±30 ppm max (See Options)
静态电容 Shunt Capacitance C ₀		7.0 pf max
负载电容 Load Capacitance C _L		6 pf~ Series (Customer Specified)
激励电平 Drive Level		100 uW Typical (1mW max)
老化率 Ageing @ 25℃ Per Year		±3 ppm~±5ppm
绝缘电阻 Insulation Resistance		500MΩ min .at 100V _{DC} ±15V

订购须知 Order Information

HEX11□-Frequency-C_L-ESR-Mode-Freq.Tol.-Temp.Range-Stability-Packaging

HEX11□	产品系列 Product Family UM-1 Series
	<ul style="list-style-type: none"> ■ A for UM-1 (for STD) ■ B for UM-1-3 (for 3 Lead Base) ■ C for UM-1-SMD (for SMD Clip)
Frequency	频率 Frequency(MHz)
C_L	负载 Load Capacitance or Series (pf)
ESR	等效电阻 (ESR) Equivalent Series Resistance \ R (Ω)
Mode	振动模式 Mode of Oscillation
	<ul style="list-style-type: none"> ■ F for fund AT ■ FB for fund BT ■ 3OT for 3rd overtone ■ X for custom value
Freq.Tol	调整频差 Frequency Tolerance @ 25°C
	<ul style="list-style-type: none"> ■ H₁ for±5 ppm max ■ H₂ for±10ppm max ■ H₃ for±30ppm max ■ X for custom value
Temp.Range	工作温度 Operating Temperature
	<ul style="list-style-type: none"> ■ T₀ for-10°C~60°C ■ T₁ for 0°C~70°C ■ T₂ for -20°C~70°C ■ T₃ for -40°C~85°C ■ X for custom value
Stability	温度频差 Temperature Tolerance
	<ul style="list-style-type: none"> ■ W₁ for±5 ppm max ■ W₂ for±10ppm max ■ W₃ for±30ppm max ■ X for custom value
Packaging	包装 Packaging
	<ul style="list-style-type: none"> ■ T for Tape & Reel ■ P for Plastic Tray ■ B for Bulk

订购举例: Example : HEX11A-20.000MHz-18-60R-F-H₃-T₂ -W₃-B

HEX11A	产品系列 Product Family UM-1
20.000MHz	频率 Frequency \ f ₀ =20.000MHz
18	负载 Load Capacitance \ C _L =18 pf
60R	等效电阻 Equivalent Series Resistance (ESR) \ R=60 Ω
F	AT 基频 Fundamental \ 切角 AT-cut F= AT Fund.
H₃	调整频差 Frequency Tolerance \ H ₃ =±30 ppm
T₂	工作温度 Operating Temperature \ T ₂ =-20°C~70°C
W₃	温度频差 Temperature Tolerance \ W ₃ =±30 ppm
B	包装 Packaging for Bulk

[Http:// www.horizonxtal.com](http://www.horizonxtal.com)

国际贸易 Horizon International Marketing

国内贸易 Horizon Domestic Marketing

E-mail: horizoncrystals@163.net

E-mail:hqq226@163.net

Fax: 0086 731 8442 2043

Fax: 0086 731 8805 0850

Tel: 0086 731 8442 3897 / 8222 4572

Tel: 0086 731 8805 0851 / 8805 0780