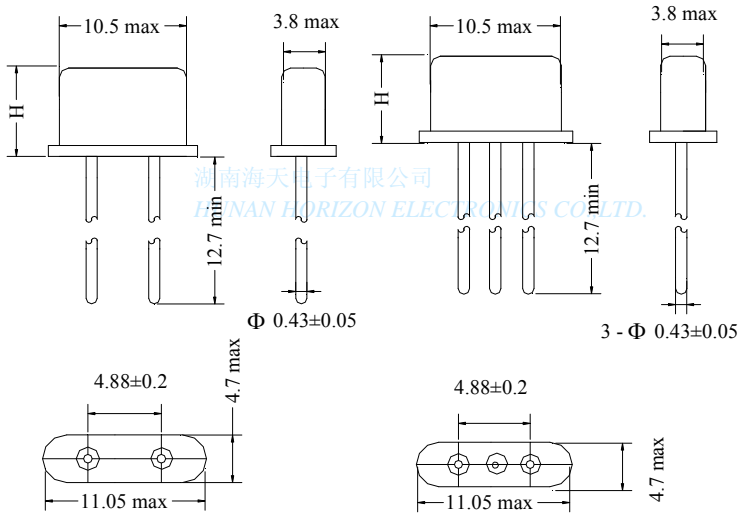


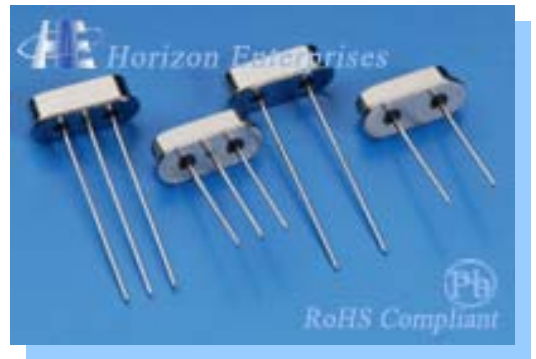
外形尺寸(单位:毫米)

Figure and Dimensions (Unit: mm)



HC-49S (Two Leads)

HC-49S-3 (Three Leads)



产品特征 Features

- 宽频率 Wide Frequency Range
- 高精度 High Precision Availability
- 可靠性强 High Reliability
- 精度高、温区宽 Tight Stability & Extended Temperature Available.

“H” 尺寸表格 \ 单位：毫米

“H” Dimension Table \ Unit: mm

HEX14□	A	B	C
	2.5	3.0	3.5

产品规格 Specification

电性能参数 Parameter		规格 Specification			
频率范围 Frequency Range		3.200~100.000 MHz			
振动模式 Mode of Oscillation	基频 Fundamental	3.200~45.000 MHz			
	三次泛音 3 <sup>rd</sup> Overtone	24.000~100.000 MHz			
工作温度 Operating Temperature		0℃~70℃ ( See Options )			
储存温度 Storage Temperature		-40℃~85℃			
调整频差 Frequency Tolerance @ 25℃		±10 ppm~±50 ppm max( See Options )			
温度频差 Temperature Tolerance		±50ppm max ( See Options ) ±100ppm max. @ -10℃~60℃(FB)			
静态电容 Shunt Capacitance C <sub>0</sub>		7.0 pf max			
负载电容 Load Capacitance C <sub>L</sub>		6 pf~ Series ( Customer Specified )			
激励电平 Drive Level		100 uW Typical ( 1mW max )			
老化率 Aging @ 25℃ Per Year		±3 ppm~±5ppm			
绝缘电阻 Insulation Resistance		500MΩ min .at 100V <sub>DC</sub> ±15V			
等效电阻和振动模式 Equivalent Series Resistance(ESR) and Mode of Oscillation(Mode)					
频率范围 MHz	等效电阻 Ω	振动模式	频率范围 MHz	等效电阻 Ω	振动模式
Freq.Range	Max ESR	Mode	Freq.Range	Max ESR	Mode
3.200~3.579	250	Fund.	7.999~9.999	60	Fund.
3.580~3.999	180	Fund.	10.000~13.999	50	Fund.
4.000~4.999	140	Fund.	14.000~40.000	40	Fund.
5.000~5.999	100	Fund.	24.000~100.000	100	3 <sup>rd</sup>
6.000~6.999	80	Fund.			

**订购须知 Order Information**

**HEX14□ -Frequency-C<sub>L</sub>-ESR-Mode-Freq.Tol-Temp.Range-Stability-Packaging**

<b>HEX14□</b>	产品系列 Product Family HC-49S Series
	<ul style="list-style-type: none"> <li>■ N for SMD</li> <li>■ 3L for 3 Lead Base</li> </ul>
<b>Frequency</b>	频率 Frequency( MHz)
<b>C<sub>L</sub></b>	负载 Load Capacitance or Series (pf)
<b>ESR</b>	等效电阻 (ESR) Equivalent Series Resistance \ R (Ω)
<b>Mode</b>	切角 Type of Angle cuts
	<ul style="list-style-type: none"> <li>■ F for fund AT</li> <li>■ FB for fund BT</li> <li>■ 3OT for 3<sup>rd</sup> overtone</li> <li>■ X for custom value</li> </ul>
<b>Freq.Tol</b>	调整频差 Frequency Tolerance @ 25℃
	<ul style="list-style-type: none"> <li>■ H<sub>1</sub> for±10 ppm max</li> <li>■ H<sub>2</sub> for±30ppm max</li> <li>■ H<sub>3</sub> for±50ppm max</li> <li>■ X for custom value</li> </ul>
<b>Temp.Range</b>	工作温度 Operating Temperature
	<ul style="list-style-type: none"> <li>■ T<sub>0</sub> for-10℃~60℃</li> <li>■ T<sub>1</sub> for 0℃~70℃</li> <li>■ T<sub>2</sub> for -20℃~70℃</li> <li>■ T<sub>3</sub> for -40℃~85℃</li> <li>■ X for custom value</li> </ul>
<b>Stability</b>	温度频差 Temperature Tolerance
	<ul style="list-style-type: none"> <li>■ W<sub>1</sub> for±10 ppm max</li> <li>■ W<sub>2</sub> for±30ppm max</li> <li>■ W<sub>3</sub> for±50ppm max</li> <li>■ X for custom value</li> </ul>
<b>Packaging</b>	包装 Packaging
	<ul style="list-style-type: none"> <li>■ T for Tape &amp; Reel</li> <li>■ P for Plastic Tray</li> <li>■ B for Bulk</li> </ul>

**订购举例: Example : HEX14B-3.57950MHz-18-180R-F-H<sub>2</sub>-T<sub>2</sub>-W<sub>2</sub>-B**

<b>HEX14B</b>	产品系列 Product Family HC-49S-3
<b>3.57950MHz</b>	频率 Frequency \ f <sub>0</sub> =3.57950MHz
<b>18</b>	负载 Load Capacitance \ C <sub>L</sub> =18 pf
<b>180R</b>	等效电阻 Equivalent Series Resistance (ESR) \ R=180 Ω
<b>F</b>	基频 Fundamental \ 切角 AT-cut F= AT
<b>H<sub>2</sub></b>	调整频差 Frequency Tolerance \ H <sub>2</sub> =±30 ppm
<b>T<sub>2</sub></b>	工作温度 Operating Temperature \ T <sub>2</sub> =-20℃~70℃
<b>W<sub>2</sub></b>	温度频差 Temperature Tolerance \ W <sub>2</sub> =±30 ppm
<b>B</b>	包装 Packaging for Bulk

[Http:// www.horizonxtal.com](http://www.horizonxtal.com)

国际贸易 Horizon International Marketing

E-mail: horizoncrystals@163.net

Fax: 0086 731 8442 2043

Tel: 0086 731 84423897 / 8222 4572

国内贸易 Horizon Domestic Marketing

E-mail: hqq226@163.net

Fax: 0086 731 8805 0850

Tel: 0086 731 8805 0851 / 8805 0780