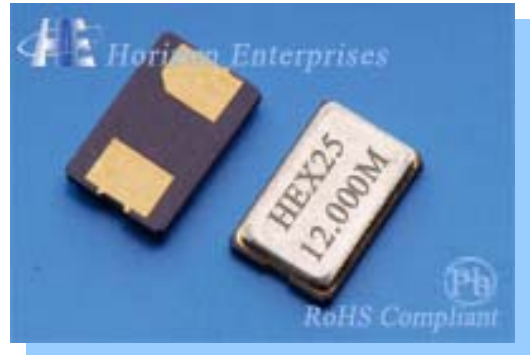
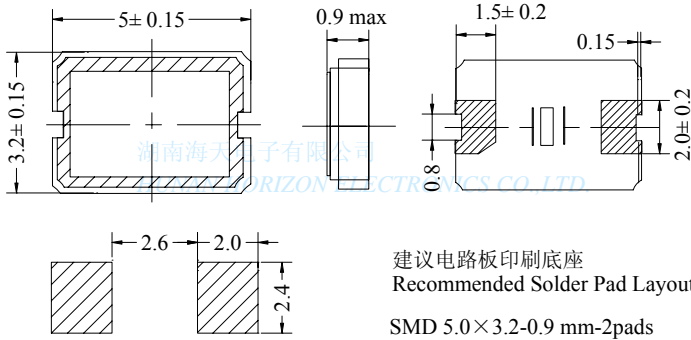


晶体谐振器 Crystals Resonators Unit
 产品型号 HEX25 – SMD5×3.2-0.9mm-2pads

外形尺寸(单位:毫米)

Figure and Dimensions(Unit: mm)



产品特征 Features

- 频率宽 Wide Frequency Range
- 精度高 High Precision Availability
- 可靠性强 High Reliability
- 质量好、体积小 High Quality , Space Saving
- 公差小、稳定性高 Tight Tolerance and Stability Available

产品规格 Specification

电性能参数 Parameter	规格 Specification
频率范围 Frequency Range	8.000 ~150.000 MHz
振动模式 Mode of Oscillation	基频 Fund. 8.000 ~ 50.000 MHz 3 rd 40.000~150.000MHz
工作温度 Operating Temperature	-10℃~60℃ to -40℃~85℃
储存温度 Storage Temperature	-40℃ ~ 85℃ \ -55℃~125℃
等效电阻	Fund. 100Ωmax for 8.000~10.000 MHz
Equivalent Series Resistance (ESR)	Fund. 80Ωmax for 10.000~12.000MHz
	Fund. 60Ωmax for 12.000~20.000MHz
	Fund. 40Ωmax for 20.000~50.000MHz
	3 rd 80Ωmax for 40.000~150.000MHz
调整频差 Frequency Tolerance @ 25℃	±10 ppm ~ ±100 ppm (See Options)
温度频差 Temperature Tolerance	±10 ppm ~ ±100 ppm (See Options)
静态电容 Shunt Capacitance C ₀	7.0 pf max
负载电容 Load Capacitance C _L	6 pf ~ Series (Customer Specified)
激励电平 Drive Level	100mW,100 uW Typical
老化率 Ageing @ 25℃ Per Year	±5ppm max
绝缘电阻 Insulation Resistance	500MΩ min .at 100V _{DC} ±15V
回流焊接条件 Reflow Conditions	260℃±10℃ for 10sec max 2 reflows max

订购须知 Order Information

HEX25-Frequency-C_L-ESR-Mode-Freq.Tol.-Temp.Range-Stability-Packaging

HEX25	产品系列 Product Family SMD 5×3.2-0.9 mm -2 pads
Frequency	频率 Frequency(MHz)
C_L	负载 Load Capacitance or Series (pf)
ESR	等效电阻 (ESR) Equivalent Series Resistance R (Ω)
Mode	振动模式 Mode of Oscillation <ul style="list-style-type: none"> ■ F for fund AT ■ 3OT for 3rd overtone
Freq.Tol	调整频差 Frequency Tolerance @ 25℃ <ul style="list-style-type: none"> ■ H₁ for±10 ppm max ■ H₂ for±30ppm max ■ H₃ for±50ppm max ■ X for custom value
Temp.Range	工作温度 Operating Temperature <ul style="list-style-type: none"> ■ T₀ for-10℃~60℃ ■ T₁ for 0℃~70℃ ■ T₂ for -20℃~70℃ ■ T₃ for -40℃~85℃ ■ X for custom value
Stability	温度频差 Temperature Tolerance <ul style="list-style-type: none"> ■ W₁ for±10 ppm max ■ W₂ for±30ppm max ■ W₃ for±50ppm max ■ X for custom value
Packaging	包装 Packaging <ul style="list-style-type: none"> ■ T for Tape & Reel

湖南海天电子有限公司
HUNAN HORIZON ELECTRONICS CO.,LTD

订购举例: Example : HEX25-12.000MHz-12-80R-F-H₂-T₂-W₂-T

HEX25	产品系列 SMD 5×3.2-0.9 mm-2pads
12.000MHz	频率 Frequency \ f ₀ =12.000MHz
12	负载 Load Capacitance \ C _L =12 pf
80R	等效电阻 Equivalent Series Resistance (ESR) \ R=80 Ω
F	AT 基频 Fundamental \ 切角 AT-cut F= AT Fund.
H₂	调整频差 Frequency Tolerance \ H ₂ =±30 ppm
T₂	工作温度 Operating Temperature \ T ₂ =-20℃~70℃
W₂	温度频差 Temperature Tolerance \ W ₂ =±30 ppm
T	包装 Packaging for Tape & Reel

[Http:// www.horizonxtal.com](http://www.horizonxtal.com)

国际贸易 Horizon International Marketing

国内贸易 Horizon Domestic Marketing

E-mail: horizoncrystals@163.net

E-mail:hqq226@163.net

Fax: 0086 731 8442 2043

Fax: 0086 731 8805 0850

Tel: 0086 731 8442 3897 / 8222 4572

Tel: 0086 731 8805 0851 / 8805 0780