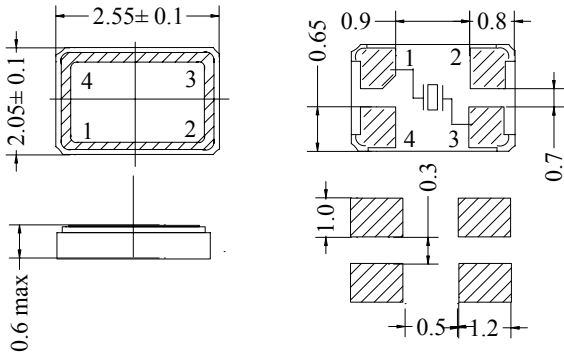
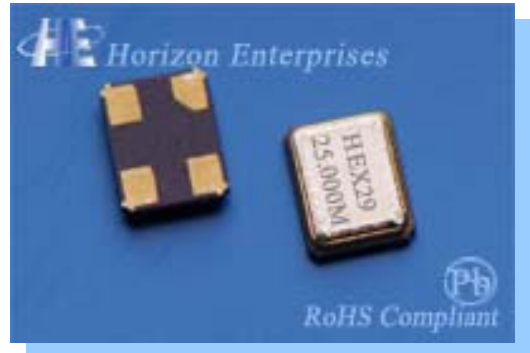


晶体谐振器 Crystals Resonators Unit  
 产品型号 HEX29 – SMD 2×2.5-0.6mm

外形尺寸(单位:毫米)  
 Figure and Dimensions(Unit: mm)



建议电路板印刷底座  
 Recommended Solder Pad Layout  
 SMD 2.0×2.5-0.6 mm



产品特征 Features

- 频率宽 Wide Frequency Range
- 精度高 High Precision Availability
- 可靠性强 High Reliability
- 质量好、体积小 High Quality , Space Saving
- 公差小、稳定性高 Tight Tolerance and Stability Available

产品规格 Specification

电性能参数 Parameter	规格 Specification
频率范围 Frequency Range	20.000 ~50.000 MHz
振动模式 Mode of Oscillation	基频 Fund.
工作温度 Operating Temperature	-10℃~60℃ to -40℃~85℃
储存温度 Storage Temperature	-40℃ ~ 85℃ \ -55℃~125℃
等效电阻	Fund.
Equivalent Series Resistance (ESR)	80Ωmax for 20.000~29.999 MHz
	60Ωmax for 30.000~39.999 MHz
	40Ωmax for 40.000~50.000MHz
调整频差 Frequency Tolerance @ 25℃	±10 ppm ~ ±100 ppm ( See Options )
温度频差 Temperature Tolerance	±10 ppm ~ ±100 ppm ( See Options )
静态电容 Shunt Capacitance C <sub>0</sub>	7.0 pf max
负载电容 Load Capacitance C <sub>L</sub>	6 pf~ Series (Customer Specified)
激励电平 Drive Level	100mW,100 uW Typical
老化率 Ageing @ 25℃ Per Year	±5ppm max
绝缘电阻 Insulation Resistance	500MΩ min .at 100V <sub>DC</sub> ±15V
回流焊接条件 Reflow Conditions	260℃±10℃ for 10sec max 2 reflows max

**订购须知 Order Information**

**HEX29-Frequency-C<sub>L</sub>-ESR-Mode-Freq.Tol.-Temp.Range-Stability-Packaging**

<b>HEX29</b>	产品系列 Product Family SMD 2×2.5 -0.6mm
<b>Frequency</b>	频率 Frequency( MHz)
<b>C<sub>L</sub></b>	负载 Load Capacitance or Series (pf)
<b>ESR</b>	等效电阻 (ESR) Equivalent Series Resistance R (Ω)
<b>Mode</b>	振动模式 Mode of Oscillation
	<ul style="list-style-type: none"> <li>■ F for fund AT</li> </ul>
<b>Freq.Tol</b>	调整频差 Frequency Tolerance @ 25℃
	<ul style="list-style-type: none"> <li>■ H<sub>1</sub> for±10 ppm max</li> <li>■ H<sub>2</sub> for±30ppm max</li> <li>■ H<sub>3</sub> for±50ppm max</li> <li>■ X for custom value</li> </ul>
<b>Temp.Range</b>	工作温度 Operating Temperature
	<ul style="list-style-type: none"> <li>■ T<sub>0</sub> for-10℃~60℃</li> <li>■ T<sub>1</sub> for 0℃~70℃</li> <li>■ T<sub>2</sub> for -20℃~70℃</li> <li>■ T<sub>3</sub> for -40℃~85℃</li> <li>■ X for custom value</li> </ul>
<b>Stability</b>	温度频差 Temperature Tolerance
	<ul style="list-style-type: none"> <li>■ W<sub>1</sub> for±10 ppm max</li> <li>■ W<sub>2</sub> for±30ppm max</li> <li>■ W<sub>3</sub> for±50ppm max</li> <li>■ X for custom value</li> </ul>
<b>Packaging</b>	包装 Packaging
	<ul style="list-style-type: none"> <li>■ T for Tape &amp; Reel</li> </ul>

湖南海天电子有限公司  
HUNAN HORIZON ELECTRONICS CO.,LTD.

湖南海天电子有限公司  
HUNAN HORIZON ELECTRONICS CO.,LTD.

**订购举例: Example : HEX29-25.000MHz-20-60R-F-H<sub>2</sub>-T<sub>2</sub>-W<sub>2</sub>-T**

<b>HEX29</b>	产品系列 SMD 2×2.5-0.6 mm
<b>25.000MHz</b>	频率 Frequency \ f <sub>0</sub> =25.000MHz
<b>20</b>	负载 Load Capacitance \ C <sub>L</sub> =20 pf
<b>60R</b>	等效电阻 Equivalent Series Resistance (ESR) \ R=60 Ω
<b>F</b>	AT 基频 Fundamental \ 切角 AT-cut F= AT Fund.
<b>H<sub>2</sub></b>	调整频差 Frequency Tolerance \ H <sub>2</sub> =±30 ppm
<b>T<sub>2</sub></b>	工作温度 Operating Temperature \ T <sub>2</sub> =-20℃~70℃
<b>W<sub>2</sub></b>	温度频差 Temperature Tolerance \ W <sub>2</sub> =±30 ppm
<b>T</b>	包装 Packaging for Tape & Reel

[Http:// www.horizonxtal.com](http://www.horizonxtal.com)

国际贸易 Horizon International Marketing

国内贸易 Horizon Domestic Marketing

E-mail: horizoncrystals@163.net

E-mail:hqq226@163.net

Fax: 0086 731 8442 2043

Fax: 0086 731 8805 0850

Tel: 0086 731 8442 3897 / 8222 4572

Tel: 0086 731 8805 0851 / 8805 0780