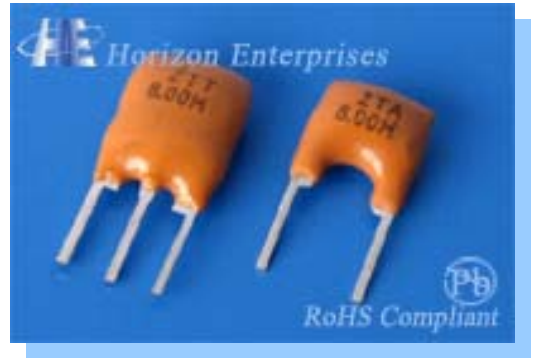
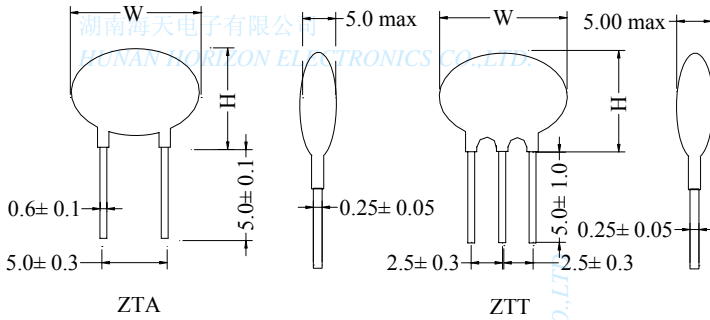


陶瓷谐振器 Ceramic Resonators Unit
 产品型号 HERC11-ZTA & ZTT Leaded

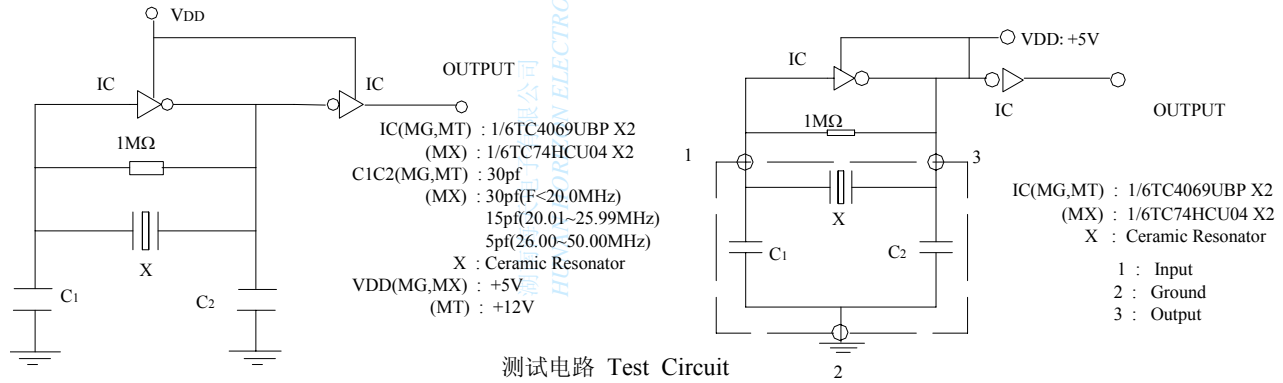
外形尺寸(单位:毫米)

Figure and Dimensions(Unit: mm)



产品特征 Features

- 阻抗低 Low Resonant Impedance
- 低成本、重量轻 Low Cost, Light Weight
- 频率宽 Wide Frequency Range



产品规格 Specification

器件号 Part Number	频率范围 Freq.Range (MHz)	频率精度 Freq. Accuracy (25°C)	温度稳定性 Stability in Temp. (-20°C~80°C)	工作温度 Operating Temp.(°C)	外观尺寸 Dimensions (Unit: mm)		老化率 Ageing for ten Year
					H	W	
ZTA□□□-MG	1.79~8.00	±0.5%	±0.3%	-20°C~80°C	10.0	12.0	±0.3%
ZTALS□□□-MG	3.00~8.00	±0.5%	±0.3%	-20°C~80°C	7.5	10.0	±0.3%
ZTA□□□-MT	6.00~13.00	±0.5%	±0.3%	-20°C~80°C	10.0	10.0	±0.3%
ZTA□□□-MX	12.00~60.00	±0.5%	±0.3%	-20°C~80°C	10.0	10.0	±0.3%
ZTT□□□-MG	1.79~8.00	±0.5%	±0.3%	-20°C~80°C	10.0	12.0	±0.3%
ZTTLS□□□-MG	3.00~8.00	±0.5%	±0.3%	-20°C~80°C	8.0	10.0	±0.3%
ZTT□□□-MT	6.00~13.00	±0.5%	±0.3%	-20°C~80°C	8.0	10.0	±0.3%
ZTT□□□-MX	12.00~60.00	±0.5%	±0.3%	-20°C~80°C	8.0	10.0	±0.3%

订购须知 Order Information
HERC11□-Frequency-Packaging

HERC11□	产品系列 Product Family ZTA & ZTT <ul style="list-style-type: none">■ A for ZTA■ B for ZTT
Frequency	频率 Frequency(MHz)
Packaging	包装 Packaging <ul style="list-style-type: none">■ T for Tape & Reel■ B for Bulk

订购举例：Example : HERC11A-20.000MHz-B

HERC11A	产品系列 Product Family ZTA & ZTT <ul style="list-style-type: none">■ A for ZTA
20.000MHz	频率 Frequency \ $f_0 = 20.000\text{MHz}$
B	包装 Packaging for Bulk

湖南海天电子有限公司
HUNAN HORIZON ELECTRONICS CO., LTD.

[Http:// www.horizonxtal.com](http://www.horizonxtal.com)

国际贸易 Horizon International Marketing

E-mail: horizoncrystals@163.net

Fax: 0086 731 8442 2043

Tel: 0086 731 8442 3897 / 8222 4572

国内贸易 Horizon Domestic Marketing

E-mail: hqq226@163.net

Fax: 0086 731 8805 0850

Tel: 0086 731 8805 0851 / 8805 0780