



QUARTZ CRYSTALS UNIT
 LOW PROFILE SURFACE MOUNT CRYSTALS
 HEX15 - HC-49US SMD



FEATURES

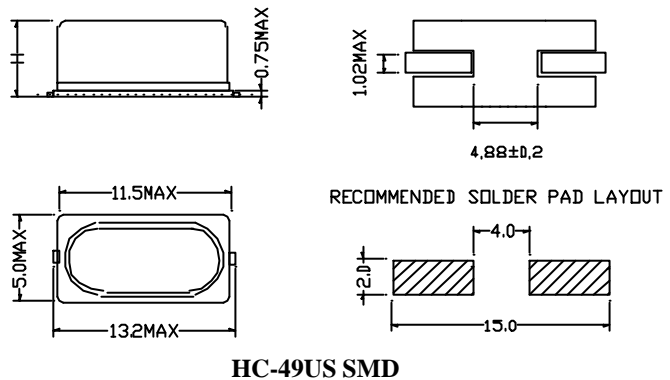
- Wide Frequency Range
- High Precision Availability
- High Reliability
- Tight Stability & Extended Temperature Available.
- Communication & Microprocessor Crystals

PARAMETER	SPECIFICATION
Frequency Range	3.200 ~ 70.000 MHz
Mode of Oscillation	Fund 3.200 ~ 40.000 MHz 3rd overtone 24.000 ~ 70.000 MHz
Operating Temperature	0 ~ 70 (See Options)
Storage Temperature	-40 ~ +85
Frequency Tolerance @ 25	± 10ppm~ ± 50ppm (See Options)
Frequency Stability Over Temp.	± 50ppm (See Options) ± 100ppm max. @ -10 ~60 (FB)
Shunt Capacitance C ₀	7.0nF max
Load Capacitance C _L	8nF~50nF or SR
Drive Level	100uW Typical (1mW max)
Aging @ 25 Per Year	± 3ppm~ ± 5ppm
Insulation Resistance	500M min .at 100VDC ± 15V

“ H ” Dimension Table			
HC-49US SMD	3.0	3.2	4.4

Equivalent Series Resistance(ESR) and Mode of Vibration(Mode)					
Frequency Range(MHZ)	Max ESR(Ω)	Mode	Frequency Range(MHZ)	Max SR(Ω)	Mode
4.000 ~ 4.999	140	Fund	13.000 ~ 40.000	40	Fundamental
5.000 ~ 5.999	120	Fund	24.000 ~ 29.999	70	3 rd overtone
6.000 ~ 7.999	100	Fund	30.000 ~ 70.000	50	3 rd overtone
7.999 ~ 9.999	70	Fund			

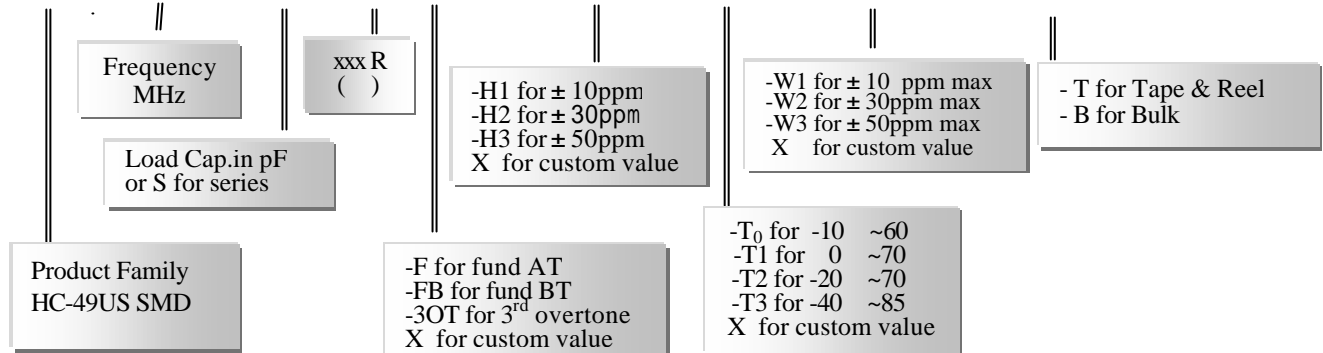
Dimensions : **mm**



HC-49US SMD

PART NUMBERING - ORDERING OPTIONS:

HEX15 - Frequency - CL - ESR - Mode - Freq. Tol. - Temp. Range - Stability - Packaging



Part Numbering Example : HEX15-12.000MHz-18-180R-F-H2-T2 -W2-B

Http: // www. horizonxtal. com

E-mail: horizon @ public .cs. hn. cn / heinfo @ horizonxtal. com / sales@horizonxtal.com